



دخيل الجسار  
Dakheel Aljassar

LV BOARD

IP55

**Made for extreme weather conditions**





LV Board With Components



## Features



Canopy With Ventilation



Pole Mounting Bracket



Gasketed Door



Concealed type Hinges



Quarter-turn lock with Key ( IP65 )

## Technical Specification



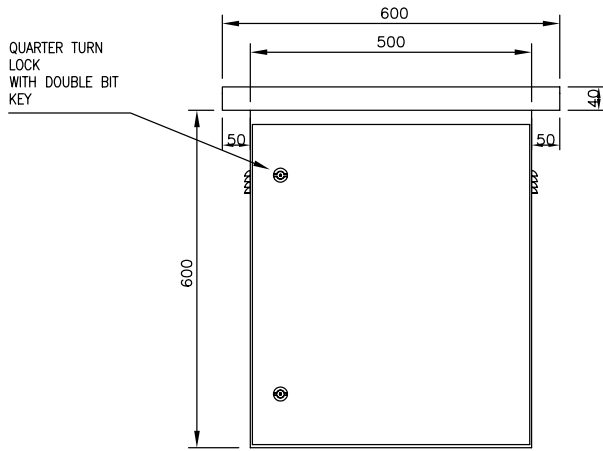
### Enclosure Data

Degree of Protection	IP 55
Enclosure Material & Construction	Folded sheet steel construction using electro-galvanized zinc phosphated sheet steel.(Box Body & Outer Door : 2mm, Internal Door : 1.2mm, Hood & Other Internal Parts : 1.5mm)
Finish	Sheet steel parts are passed through a 6 stage pre-treatment system and then provided with electrostatic powder coating. Shade : RAL 7035, Textured finish.
Lock	Quarter-turn Lock with double Bit Key, IP65
Hinges	Concealed type
Door Gasket	Cell Sponge Rubber
Installation	Outdoor, Pole Mounted
Access	Front

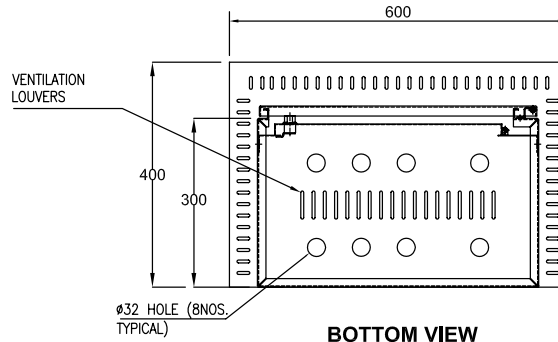
### DETAILS OF COMPONENTS FOR WHICH SPACES ARE PROVIDED

SL. NO.	COMPONENT DESCRIPTION	CAT No.	MANUFACTURER
1	MCCB 160A 4P	FWF4160VL	EATON
2	AMMETERS - SIZE 72x72mm	EC4V	SACI
3	VOLTMETER - SIZE 72x72mm	EC4V	SACI
4	VOLTMETER SELECTOR SWITCH (7 POSITION)	16A TP16 61313 B03 FH A/B	CROPMTON GREAVES

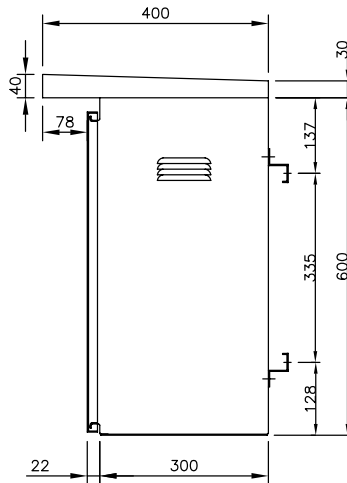
GA Drawing



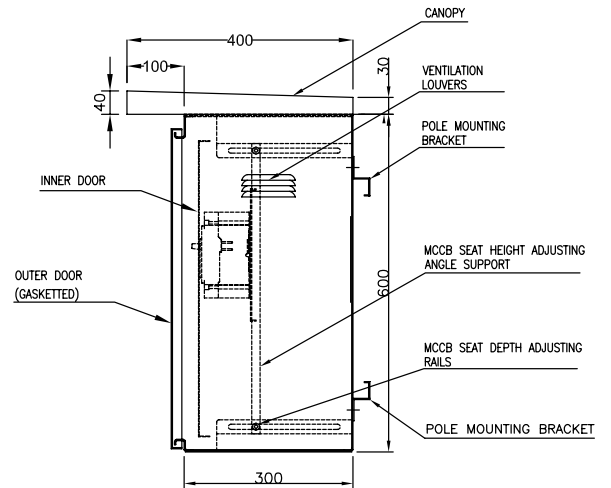
**FRONT VIEW**



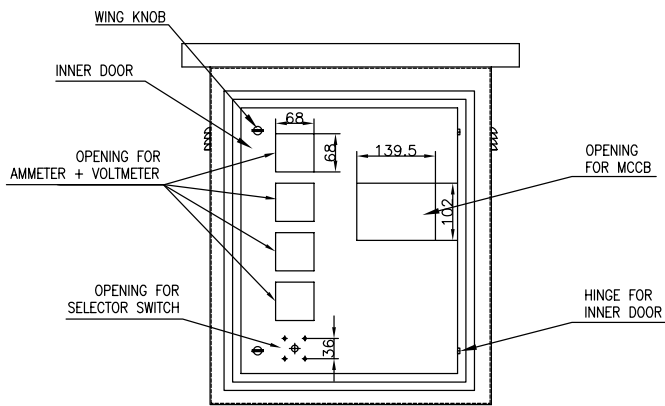
**BOTTOM VIEW**



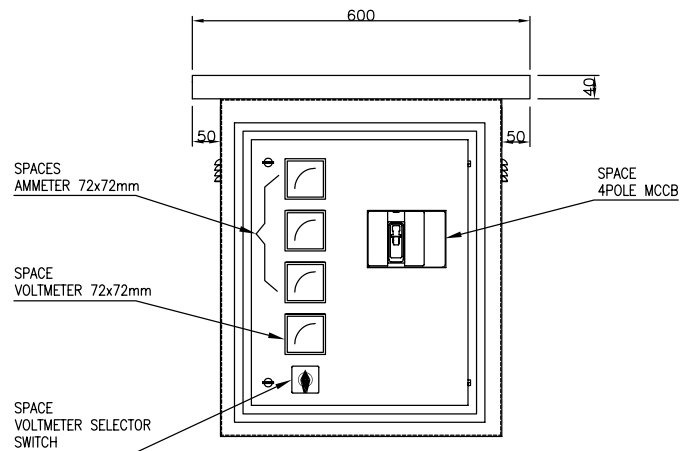
**SIDE VIEW**



**SIDE VIEW**



**INTERNAL ARRANGEMENT  
(WITH INNER DOOR)**



**INTERNAL ARRANGEMENT (WITH INNER DOOR)  
WITH COMPONENTS FITTED**

ALL DIMENSIONS ARE IN 'mm'

LV Board Models

